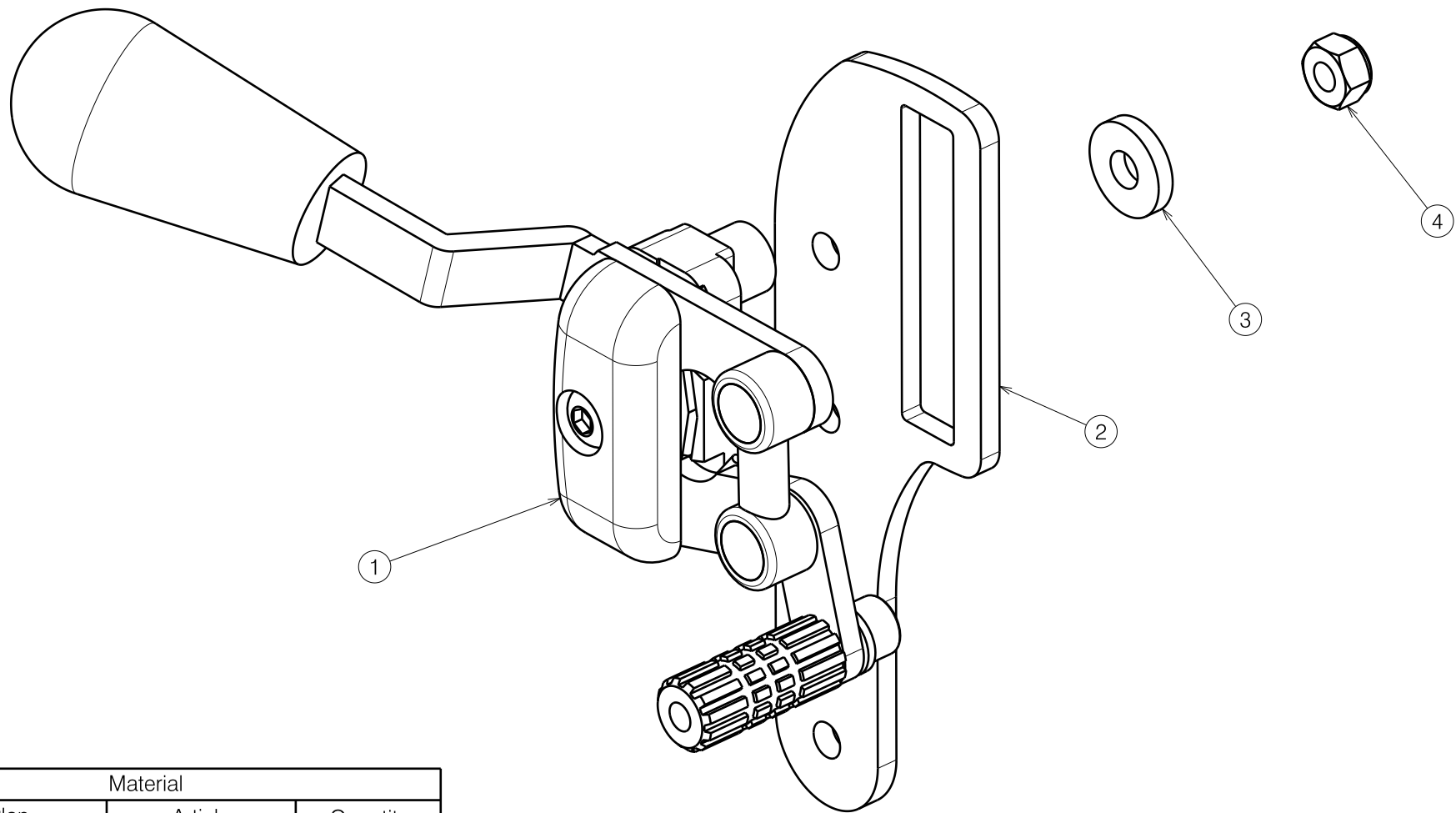


Material			
No.	Plan	Article	Quantity
1	Left brake	3991715	1
2	Y021061	2008654	1
3	M6 DIN7349	1003321	1
4	M6 DIN985	1001680	1

1910793

BRAKE T30 D-SERIES 2014				Plan No. E000970 / C
Sheet 1/2 Left side				
Scale: 1:1	Drafted	Verified	Confirmed	
Date	06/10/2014	19/12/2014	19/12/2014	
Initials	SD	SD	PJ	

E000970 / C



Material			
No.	Plan	Article	Quantity
1	Right brake	3991716	1
2	Y021061	2008654	1
3	M6 DIN7349	1003321	1
4	M6 DIN985	1001680	1

E000970 / C

1910794

BRAKE T30 D-SERIES 2014				Plan No. E000970 / C
Sheet 2/2 Right side				
Scale: 1:1	Drafted	Verified	Confirmed	
Date	06/10/2014	19/12/2014	19/12/2014	
Initials	SD	SD	PJ	