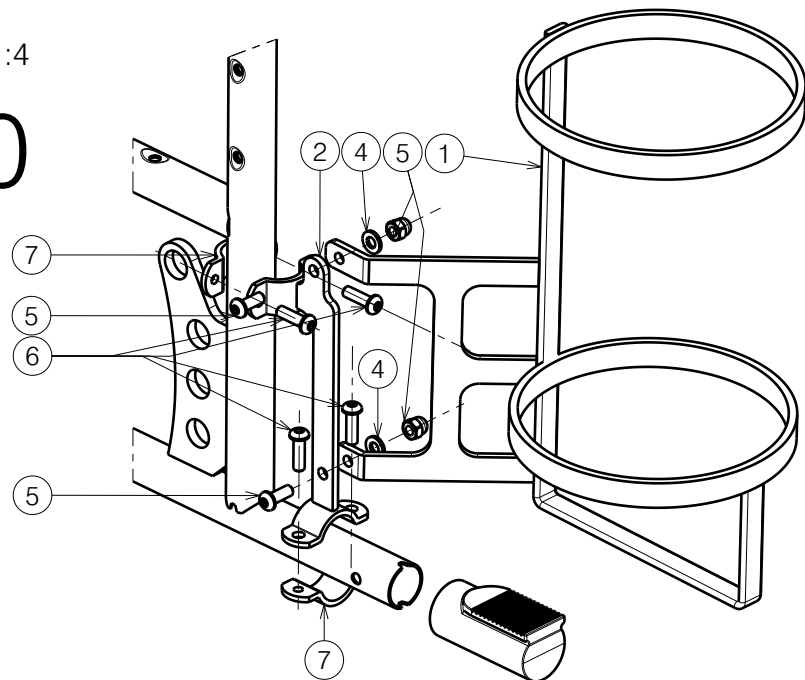


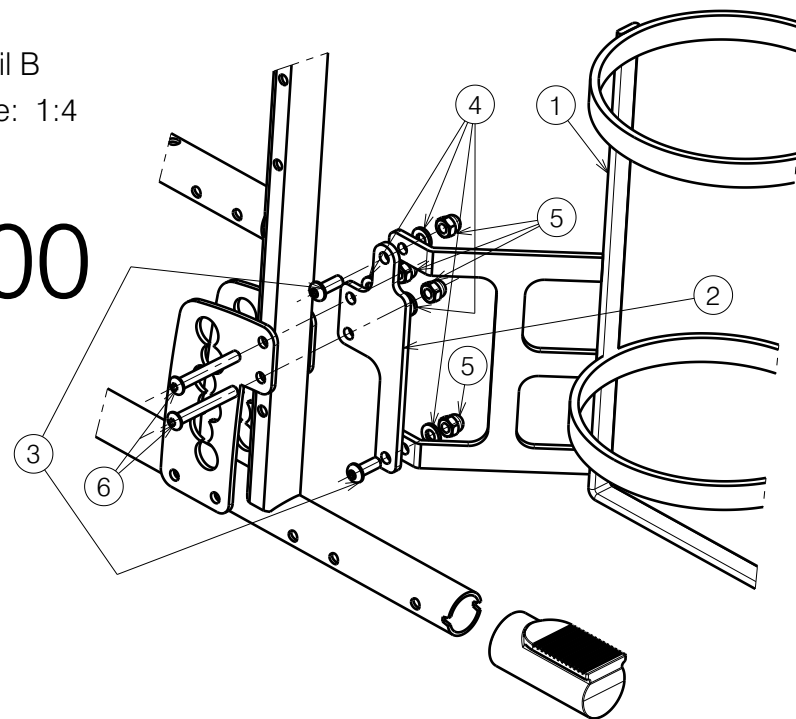
Detail A
Scale: 1:4

V100



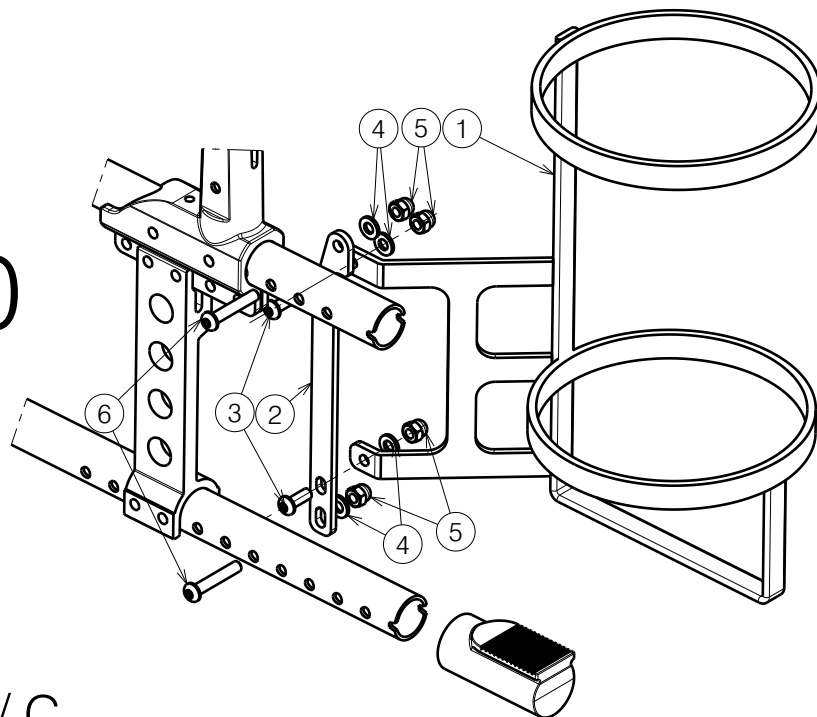
Detail B
Scale: 1:4

V200




Detail C
Scale: 1:4

V300



E000751 / C

Sheet 1/2

B83 OXYGEN HOLDER V-SERIES				Plan No.
B83 ZUURSTOFFLES HOUDER V-SERIES				E000751 / C
Scale: 1:4	Drafted	Verified	Confirmed	
Date	24/10/2011	08/09/2022	08/09/2022	
Initials	SV	SD	PJ	

Material V100 B83			
No.	Plan	Article	Quantity
1	Y014780	1709704 (φ115)	1
	Y014781	1709804 (φ130)	1
	Y014782	1709904 (φ145)	1
	Y014783	1710004 (φ155)	1
2	Y018127	1764904	1
3	---	1008459	2
4	---	1001564	2
5	---	1008492	2
6	---	1006999	4
7	Y002782	1483304	2

Material V200 B83			
No.	Plan	Article	Quantity
1	Y014780	1709704 (φ115)	1
	Y014781	1709804 (φ130)	1
	Y014782	1709904 (φ145)	1
	Y014783	1710004 (φ155)	1
2	Y018128	1764704	1
3	---	1008459	2
4	---	1001564	4
5	---	1008492	4
6	---	1991017	2

Material V300 B83			
No.	Plan	Article	Quantity
1	Y014780	1709704 (φ115)	1
	Y014781	1709804 (φ130)	1
	Y014782	1709904 (φ145)	1
	Y014783	1710004 (φ155)	1
2	Y018129	1764804	1
3	---	1008459	2
4	---	1001564	4
5	---	1008492	4
6	---	1006057	4

E000751 / C

Sheet 2/2

B83 OXYGEN HOLDER V-SERIES				Plan No.
B83 ZUURSTOFFLES HOUDER V-SERIES				E000751 / C
Scale: 1:4	Drafted	Verified	Confirmed	
Date	24/10/2011	08/09/2022	08/09/2022	
Initials	SV	SD	PJ	