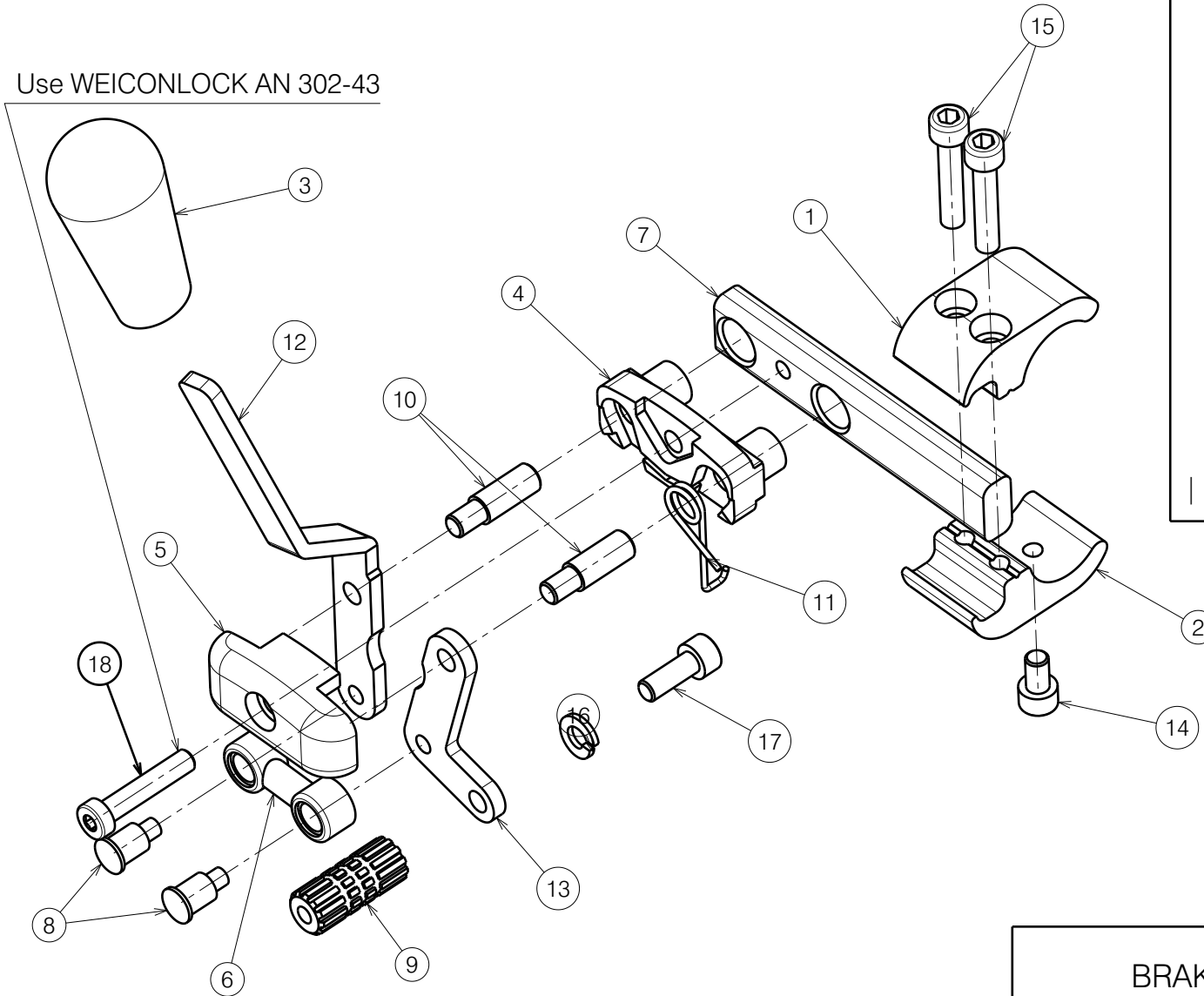


Use WEICONLOCK AN 302-43



| Material | | | |
|----------|---------------|---------|----------|
| No. | Plan | Article | Quantity |
| 1 | X002115 | 1552682 | 1 |
| 2 | X002116 | 1552782 | 1 |
| 3 | X002134 | 1992411 | 1 |
| 4 | X002139 | 1992426 | 1 |
| 5 | X002140 | 1992427 | 1 |
| 6 | X002141 | 1992435 | 1 |
| 7 | X002155 | 1552582 | 1 |
| 8 | X002165 | 1488300 | 2 |
| 9 | X005274 | 17937 | 1 |
| 10 | X005276 | 1793900 | 2 |
| 11 | X005305 | 1910032 | 1 |
| 12 | Y016713 | 1735454 | 1 |
| 13 | Y020193 | 1794054 | 1 |
| 14 | M6x10 DIN912 | 1001491 | 1 |
| 15 | M6x30 DIN912 | 1001495 | 2 |
| 16 | M6 DIN127 | 1004414 | 1 |
| 17 | M6x16 DIN912 | 1001492 | 1 |
| 18 | M6x30 DIN7984 | 1992721 | 1 |

1910030

E000909 / C

| | | | | |
|----------------------------|------------|------------|------------|-------------|
| BRAKE LEFT V-SERIES/ECLIPS | | | | Plan No. |
| | | | | E000909 / C |
| Scale: 3:5 | Drafted | Verified | Confirmed | |
| Date | 09/01/2014 | 12/09/2022 | 12/09/2022 | |
| Initials | SD | AZ | TK | |