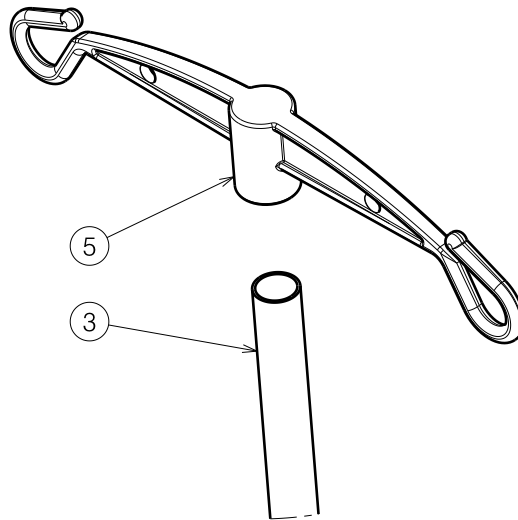
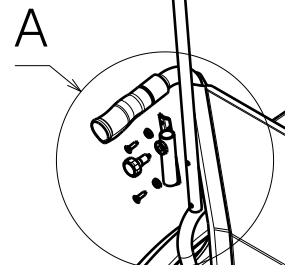


Detail B

Scale: 2:5

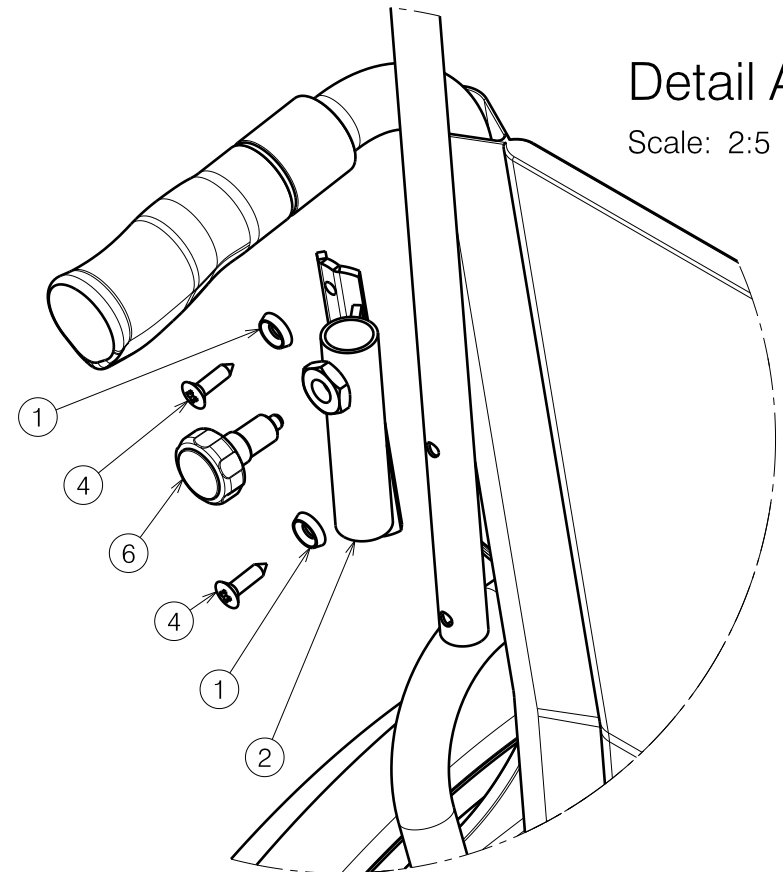


Material			
No.	Plan	Article	Quantity
1	X001473	1002994	2
2	Y017610	1754454	1
3	Y017612	1754501	1
4	---	1001534	2
5	---	1906917	1
6	---	1999935	1




Detail A

Scale: 2:5



E000690 / A

B52 SERUM HOLDER V-SERIE B52 SERUMHOUDER V-REEKS				Plan No.
				E000690 / A
Scale: 1:10	Drafted	Verified	Confirmed	
Date	06/04/2011	06/04/2011	06/04/2011	
Initials	DD	SD	PJ	