

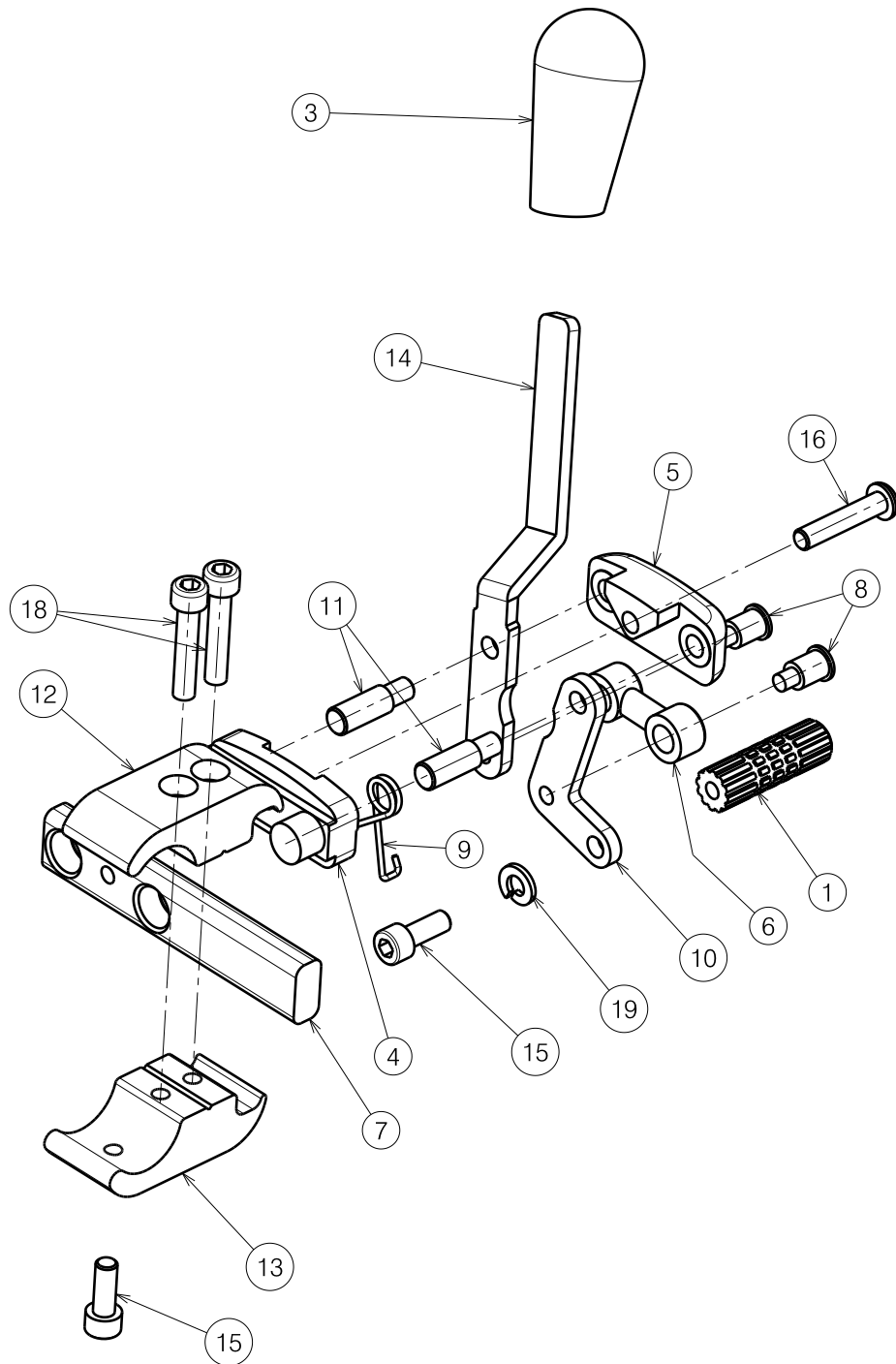
Material			
No.	Plan	Article	Quantity
1	X005277	17938	1
3	X002134	1992411	1
4	X002139	1992426	1
5	X002140	1992427	1
6	X002141	1992435	1
7	X002155	1552582	1
8	X002165	1488300	2
9	X005305	1910032	1
10	Y020193	1794054	1
11	X005276	1793900	2
12	XC00002	1C09782	1
13	XC00010	1C09882	1
14	Y016713	1735454	1
15	M6x16 DIN912	1001492	2
16	M6x30 ISO7380	1009588	1
18	M6x30 DIN912	1001495	2
19	M6 DIN127B	1004414	1

Left side - Sheet 1 / 2

1910159

E000916 / C

BRAKE V300 B74 2014				Plan No. E000916 / C
REM V300 B74 2014				
Scale: 1:2	Drafted	Verified	Confirmed	
Date	16/01/2014	08/12/2017	08/12/2017	
Initials	SD	SD	PJ	



Material			
No.	Plan	Article	Quantity
1	X005277	17938	1
3	X002134	1992411	1
4	X002139	1992426	1
5	X002140	1992427	1
6	X002141	1992435	1
7	X002155	1552582	1
8	X002165	1488300	2
9	X005306	1910033	1
10	Y020193	1794054	1
11	X005276	1793900	2
12	XC00002	1C09782	1
13	XC00010	1C09882	1
14	Y016715	1735554	1
15	M6x16 DIN912	1001492	2
16	M6x30 ISO7380	1009588	1
18	M6x30 DIN912	1001495	2
19	M6 DIN127B	1004414	1

E000916 / C

Right side - Sheet 2 / 2

1910160

BRAKE V300 B74 2014				Plan No.
REM V300 B74 2014				E000916 / C
Scale: 1:2	Drafted	Verified	Confirmed	
Date	16/01/2014	08/12/2017	08/12/2017	
Initials	SD	SD	PJ	