

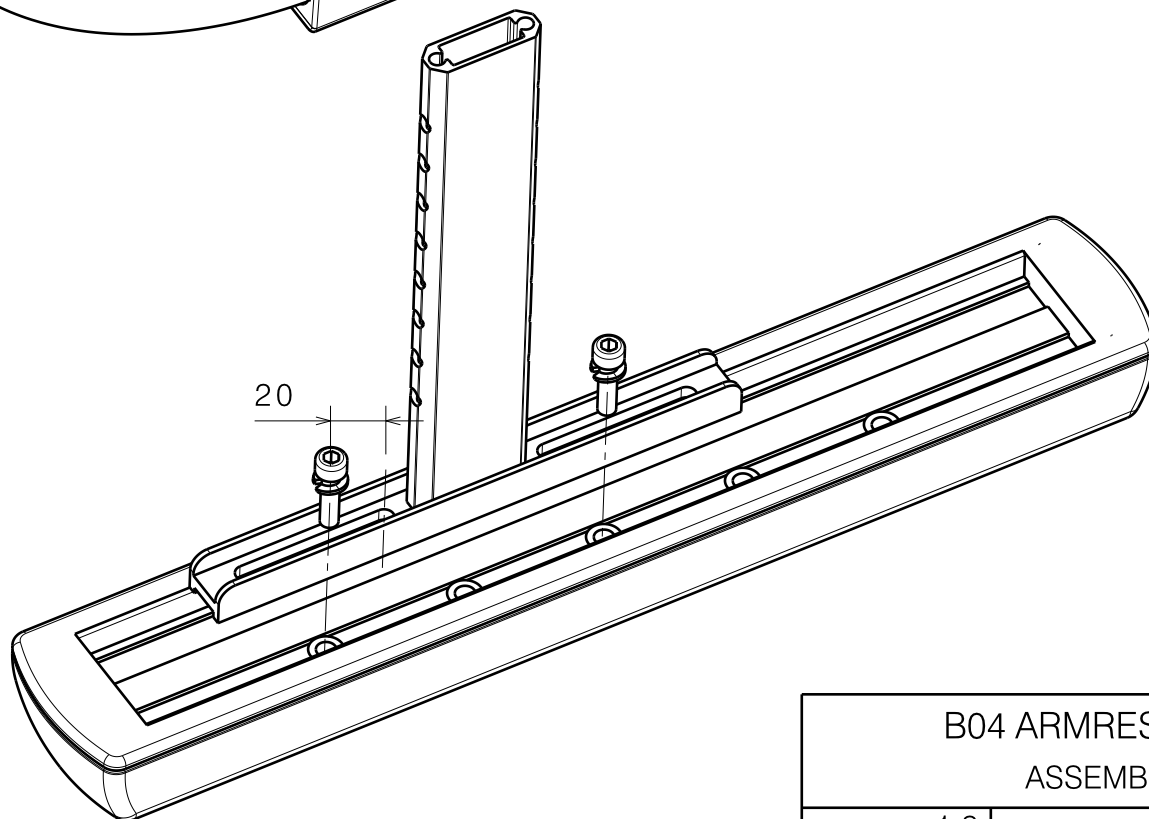
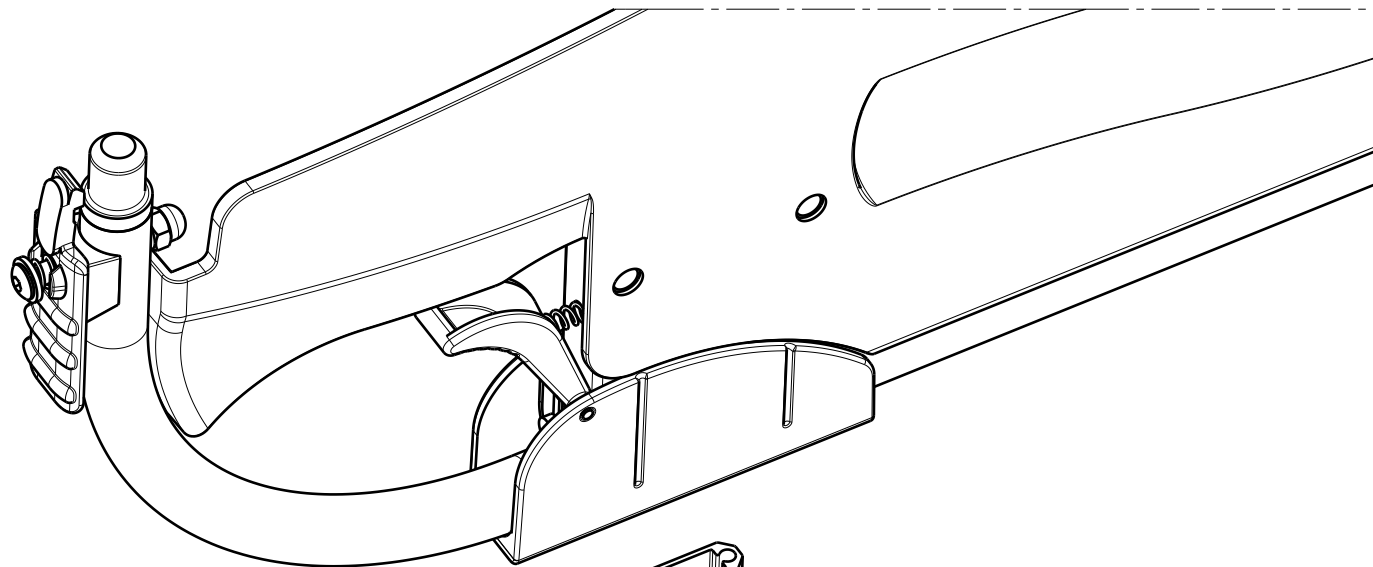
No.	Plan	Article	Quantity
1	X004421	1904140	1
2	X004422	1904136	1
3	X004721	1735900	1
4	X004767/X004766	1908784	1
5	X004865	1003901	1
6	X005385	1911772 (L)	1
	X005483	1911773 (R)	1
7	X005391	1911776	1
8	X005392	2015000	1
9	X005395	2014899	1
10	X005479	1911774	1
11	X005480	1911775	2
12	X005517	2014999	1
13	X005519	1911778	1
14	X005537	2016400	1
15	Y021522	2016654 (R)	1
	Y021523	2016554 (L)	1
16	M6x16 DIN912	1001492	2
17	M6 DIN125	1001564	1
18	M5x20 DIN912	1003907	2
19	M6x12 ISO7380	1007000	1
20	M6x16 ISO7380	1008459	2
21	M6	1008492	1
22	X005555	1912021	1
23	---	1990752	8
24	M6x45 ISO7380	1991017	1
25*	---	T001002	1
26	M5x20 DIN7985	3992507	2
27	M5 DIN127	1906561	2

* Not depicted

page 1/2

2991643

B04 ARMREST V-SERIES 2015				Plan No. / Plannr. E001002/I
Scale / Schaal: 1:3	Drafted / Getekend	Verified / Nagezien	Confirmed / Bevestigd	
Date / Datum	02/11/2015	02/09/2019	16/01/2019	
Init. / Init.	SD	SD	PJ	



page 2/2

2991643

B04 ARMREST V-SERIES 2015				Plan No. / Plannr. E001002/I
ASSEMBLY SETTINGS				
Scale / Schaal: 1:2	Drafted / Getekend	Verified / Nagezien	Confirmed / Bevestigd	
Date / Datum	02/11/2015	02/09/2019	16/01/2019	
Init. / Init.	SD	SD	PJ	